



EMORY
LIBRARIES &
INFORMATION
TECHNOLOGY

IT Briefing

July 16, 2015

North Decatur Building

4th Floor Auditorium

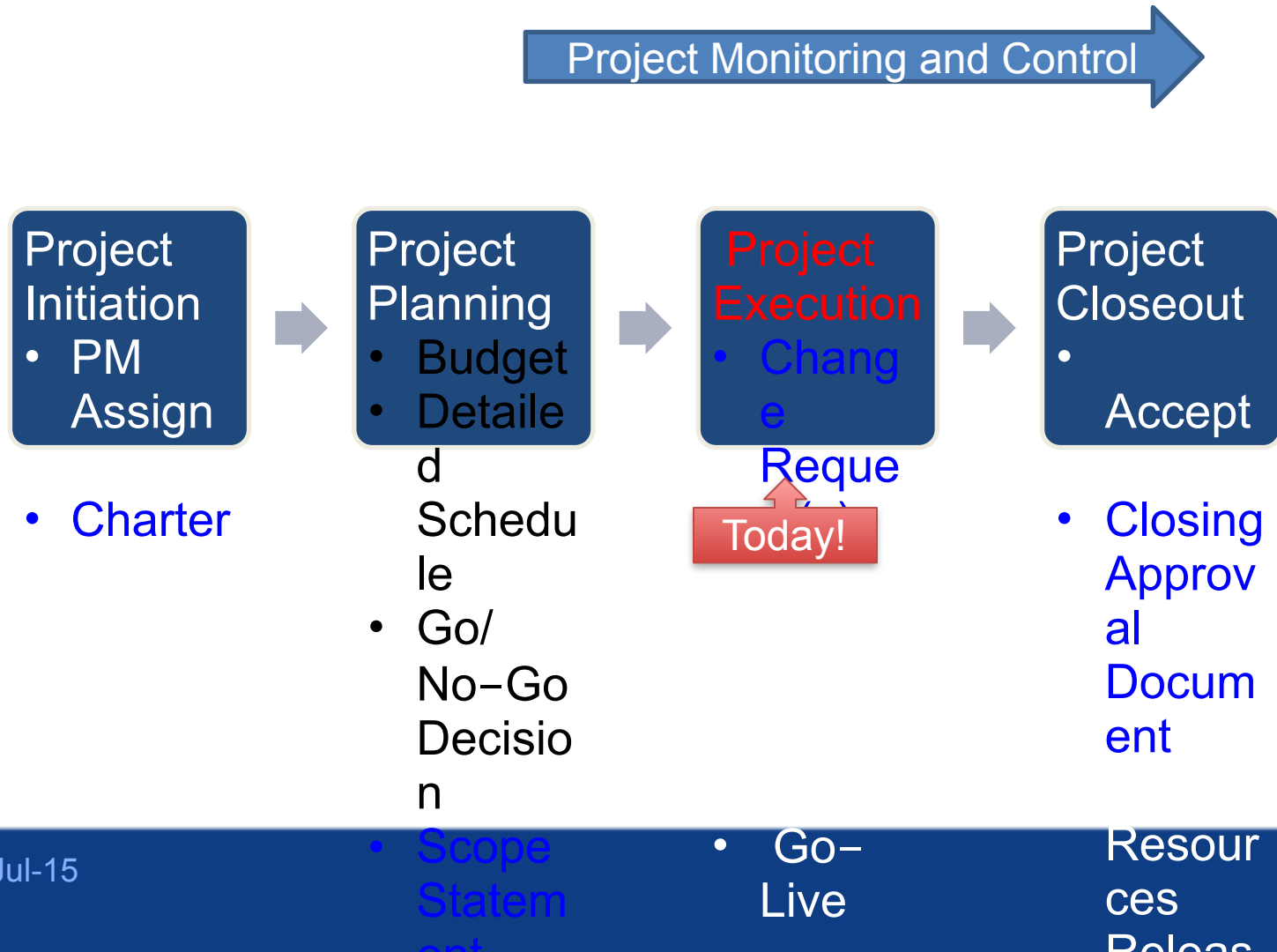
IT Briefing Agenda

- Library Service Center
- Messaging Team Updates
- MyPassword Demo
- Infrastructure Update
- Security Update
- Ceray Doss-Williams and Felicia Bianchi
- Jay Flanagan
- Anne Marie Alexander
- Paul Petersen
- Derek Spransy



Ceray Doss-Williams & Felicia Bianchi
Project Managers, Project Management Office
Library Service Center Update

Project Lifecycle



Project Updates

- Key Construction Updates
- Technology

Construction



The Job Site



Processing Area



Archive Module



Technology

- Scanners
- Storage
- Networks
- Audio Visual conference rooms
- Inventory Control

Technology





Library Service Center

of Emory University and Georgia Tech



Inventory Control

First time integrations with ILS

- Emory Alma (ExLibris)
- GaTech

SLA and OLA – a new Frontier

- **Vendors**

- AV (Avyve)
- ICS (W.B. Meyer)
- ALMA (Ex Libris)



LITS



SLA and OLA – a new Frontier

- **Vendors**


- Scanners
- Order Pickers
- Maintenance Lifts



Library Service Center



SLA and OLA – a new Frontier

- **LITS**  **Library Service Center**
 - Storage
 - Networking
 - Desktop Support
 - Classroom Technology and AV Support
 - 1st Line of Support for ILL, ICS, & ALMA

SLA and OLA – a new Frontier

- Vendors
 - AV (Avyve)
 - ICS (W.B. Meyer)
 - ALMA (Ex Libris)
 - Vendors
 - Scanners, Order Pickers & Maintenance Lifts
 - LITS
 - Storage
 - Networking
 - Desktop Support
 - 1st Line of Support for ILL, ICS, & ALMA
- OLA
-

Milestones

- Emory Collections prep complete – October 2015
- On schedule, projected construction completion (including shelving) Oct 30, 2015
- Owner furniture installation Nov 2 – Nov 6, 2015
- User move-in (excluding ingest) Nov 9 – Nov 13, 2015
- End to end testing of the system Nov 16
- User training ends Nov 20
- Ingest Begins Dec 2015/Jan 2016
- GT Complete March 2016
- Emory Complete July 2016



WorkZone Camera

- <https://www.workzonecam.com/projects/whitingturner3>
- Photo and picture credits:
 - KSS Renderings
 - Picture of library book exchanging hands. Digital image. *Robert W. Woodruff Library*. Emory Libraries & Information Technology, 2015. Web. July 2015. <http://web.library.emory.edu/using-the-library/>
 - Storage Photo Credit: [Sashkin/Shutterstock](#)
 - Networking digital image. *How to Break into a Career in IT*. Tipstoremember.com, 2015. Web. 15 July 2015. <http://www.tipstoremember.com/how-to-build-a-career-in-it-networking/>.
 - AV Room Photo Credit: [Avyve](#)
 - Books Inventory Storage Photo Credit: [William B. Meyer](#)
 - Picture of barcode and barcode scanner. Digital image. *QStock Inventory*. QStock Inventory Software, 7 Nov. 2013. Web. 15 July 2015. <http://www.qstockinventory.com/blog/barcoding-an-effective-means-of-inventory-control-for-small-business/>.
 - Picture of Genie Lift: <http://www.genielift.com/en/products/scissor-lifts/slab-scissor-lifts/g2646av/index.htm>

Questions





Jay Flanagan

Sr. Manager, Messaging Team

Messaging Team Updates

10 YEARS AGO



NOW



365 Updates

- New VDT for EHC on target for completion by Sept. 1, 2015
- Moves to begin towards the end of September
 - EHC, SOM, SON, Yerkes and any stragglers that somehow got missed
- Additional 2000+ university accounts moved to 365 over the last month

LDS

- LDS now in production
- We are ready to work with you to move your application
- Contact LDS-Migration@emory.edu
- 22 have completed the move to LDS Prod, 43 are in progress and 3 have not started
- <https://wiki.service.emory.edu/pages/viewpage.action?pageId=90937569>
- We have been reaching out to those groups who are in process
- Complete all moves by Sept. 1, 2015

PW Expiration / Reset

- Required expiration coming this fall
- Communication ongoing
- Spread Sheet available
- General Data on Wiki
 - <https://wiki.service.emory.edu/display/infrastructure/Active+Directory+-+Password+Change+Statistics>
 - Over 7400+ accounts have been changed
 - Still over 30,000+ accounts need to be changed



Questions?





Anne Marie Alexander
Sr. Manager, Identity Management
MyPassword Demo

Important dates to remember

- July 26 - MyNetID
- September 9 - DOOMSDAY

MyPassword Demo

Questions



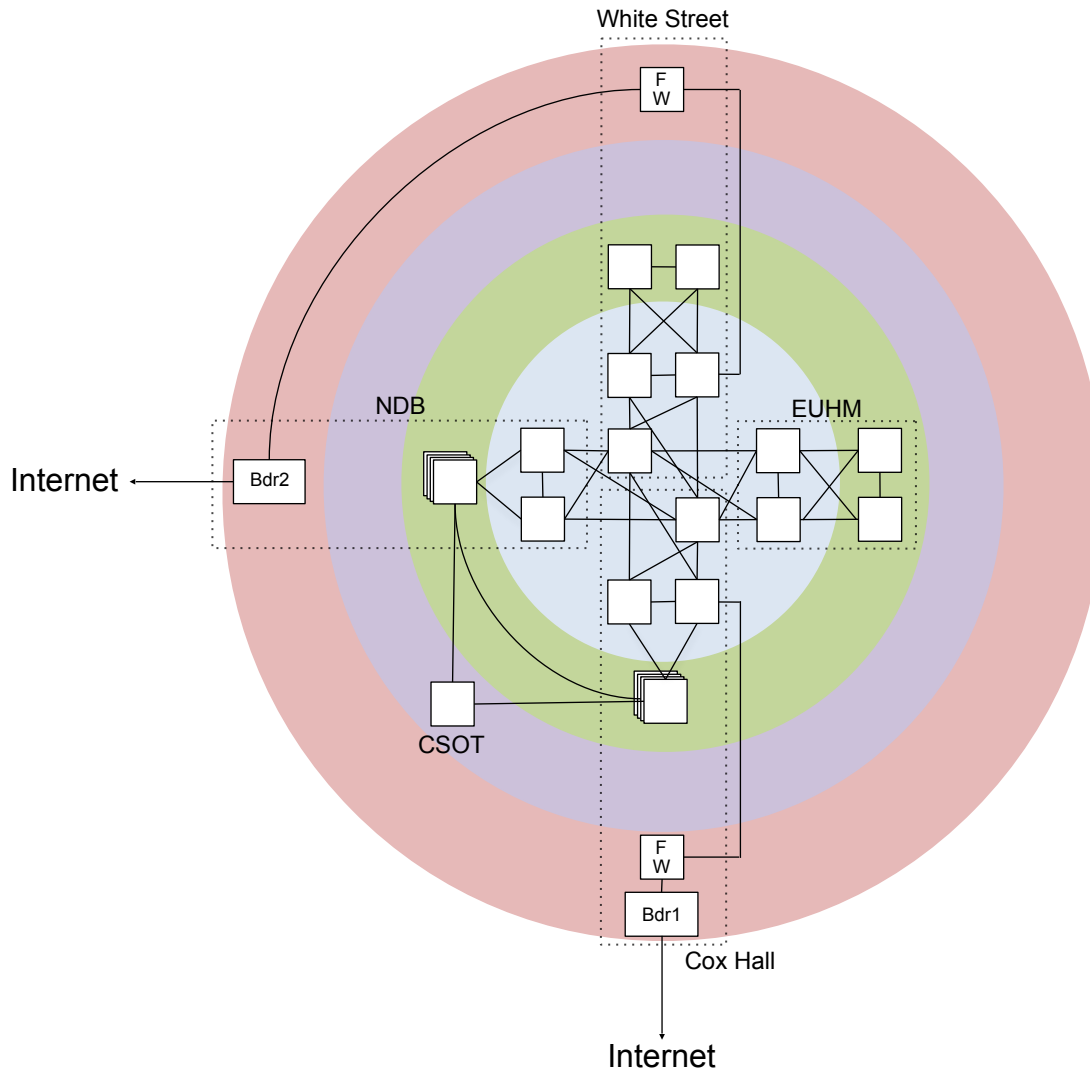


Paul Petersen

Director, Infrastructure

Infrastructure Update

Core Upgrade



- Added a distribution layer (green) to the core (light blue)
- Started moving connections from core to distribution on March 18th.
- Since then, there have been more than 20 migration changes, and the team has migrated more 100 LANs and 500 VLANs.
- We are just over halfway through the migrations. Expect to complete in November

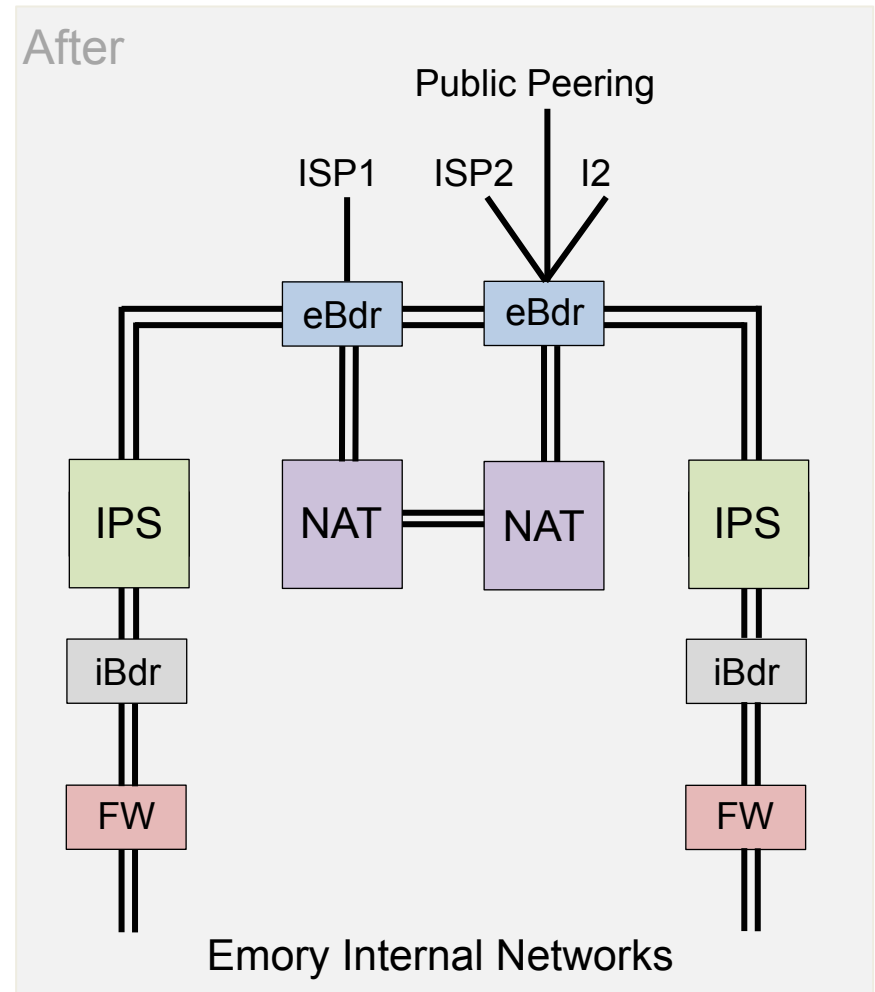
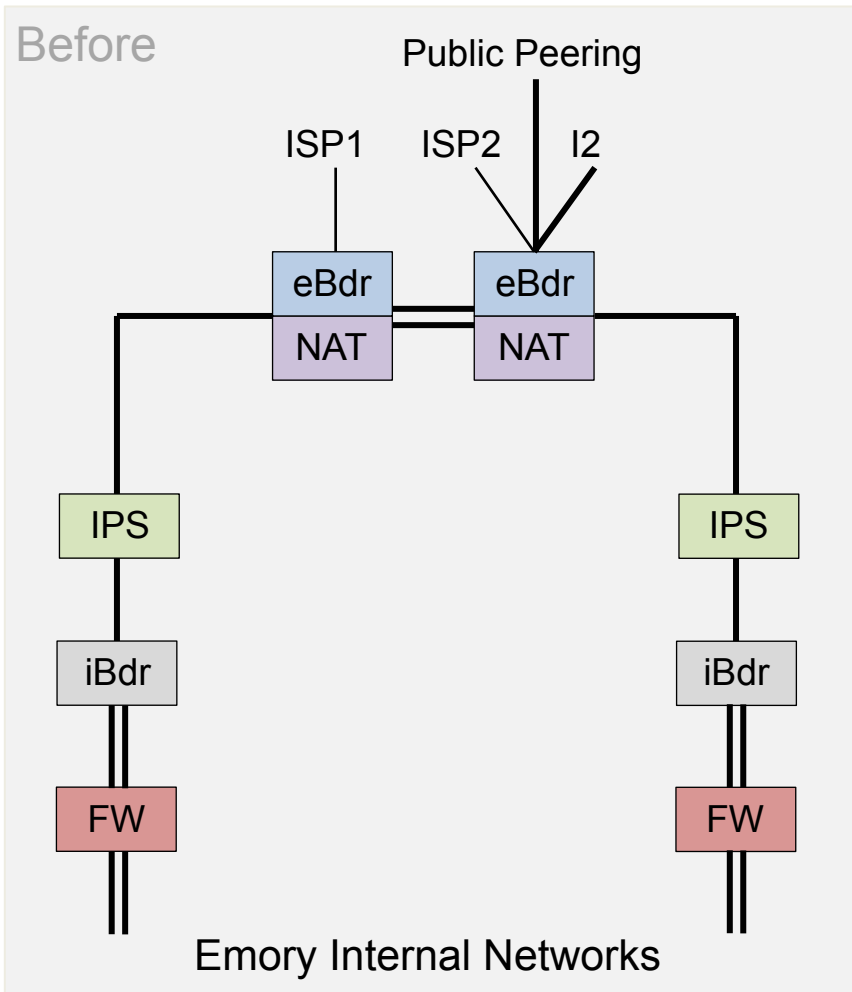
Wireless Upgrade

- FY15 Objective
 - Upgrade the controller hardware
 - Upgrade the software
 - Split Academic and Healthcare wireless
- First attempted over spring break
 - Unsuccessful because of software bug
- Second attempt happened Tuesday
 - So far so good, but we continue to monitor

Border Upgrade

- Background – Fall 2014
 - Route capacity increased to maximum
 - NAT capacity increased to maximum
 - IPS capacity increased to maximum
- Summer 2015
 - Replacing existing NAT solution – 7/18
 - Increases capacity from 400K translations to 1M translations
 - Replacing existing IPS units – week of 7/27
 - Increases throughput from 5G to 10G with an option to increase to 20G
 - Upgrade commercial Internet service providers from 1G to 10G – before 8/17

Border Diagram



Thank you

- For your patience during these upgrades and changes
- For migrating to the new Trusted Storage and Isilon storage
- For helping to isolate a series of recent network issues to a particular network card and older firmware version

Infrastructure Update

Questions





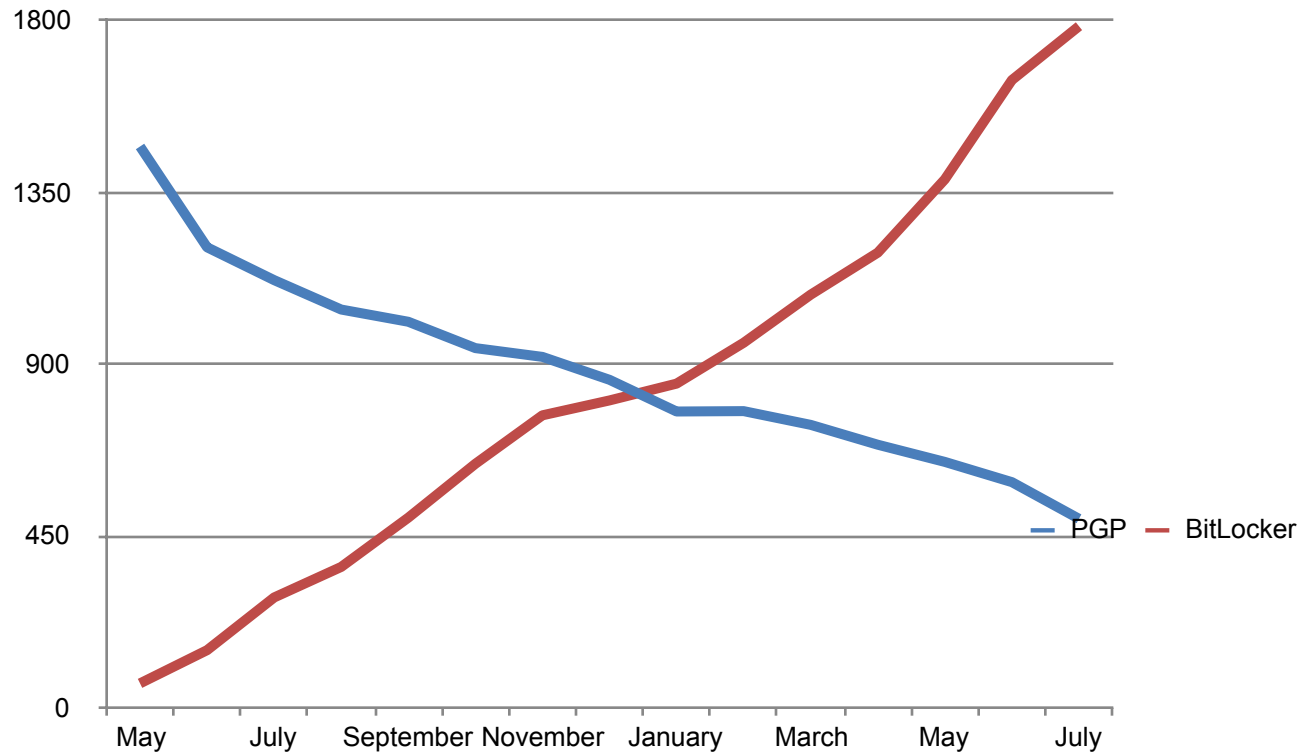
Derek Spransy
Enterprise Info Security Lead, IT Security

Security Update

PGP Decommission

- The existing PGP full disk encryption service is being retired on **September 1**
- All PGP encrypted systems must be transitioned to MBAM or FileVault (with our management tool) by that date
- A lot of progress has been made but September is **coming quickly**
- Your IT Director should have a list of remaining PGP systems

MBAM Adoption Rate



Filevault & Absolute Manage

- If you utilize Absolute Manage for managing your systems, you can now use it to manage Filevault rather than our management tool
- We do require that you allow us to pull data from your AM database
- For more details email securityteam-l@listserv.cc.emory.edu

Outbound DNS Filtering

- In August we will begin blocking outbound DNS requests except from identified DNS servers and resolvers
- DNS is now used frequently as a data exfiltration and command and control channel
- We will still allow outbound DNS requests to Google DNS and OpenDNS from all systems
- Please review the list we've provided to ensure that none of your systems will be impacted
- Ensure that clients are configured to point to central Emory DNS servers

Outbound DNS Filtering

- Implementation dates (subject to CAB approval)
 - Resnet: August 4
 - Academic: August 6
 - Admin Core: August 11
 - DMZ: August 13

Flash and Java Updates

- There have been three critical 0-day exploits patched by Adobe in the last week
- Oracle released a patch for a 0-day affecting Java as well
- Current Flash version: 18.0.0.209
- Current Java version: 1.8u51
- Please upgrade your clients as soon as possible
- Remove or disable Java and Flash where they aren't absolutely required

Security Update

Questions

Thank you for coming!

*Thank
You*